



## BULK SOLIDS MASS FLOW METER CO-100B

### TECHNICAL DATA AND DIMENSIONS

The **S-E-G** mass flow meter type CO-100 offers a high precision measurement device for bulk solids combined with easy installation procedure in existing material flows.

Industrial design with a minimum of moving parts, ensure maximum reliability with easy maintenance.

Designed for easy installation with lowest distance between inlet and outlet flanges.

Only cables for mains power and transducer/tachometer connection required to instrumentation.

Optional stainless steel design and turbines for abrasive materials available.

Advanced System T3650 controller with multi-functions such as: Flow indication, Totalising, Regulating, Load out etc.



#### CAPACITY

Capacity	min.	5.000	kg/h
	max	100.000	kg/h
		80.000	lit/h
Bulk density	min.	0.3	ton/m <sup>3</sup>
Piece size	max.	10	mm
Material temperature	max.	100	°C

Limits are for guidance, and depend on material specifications.

#### TECHNICAL DATA

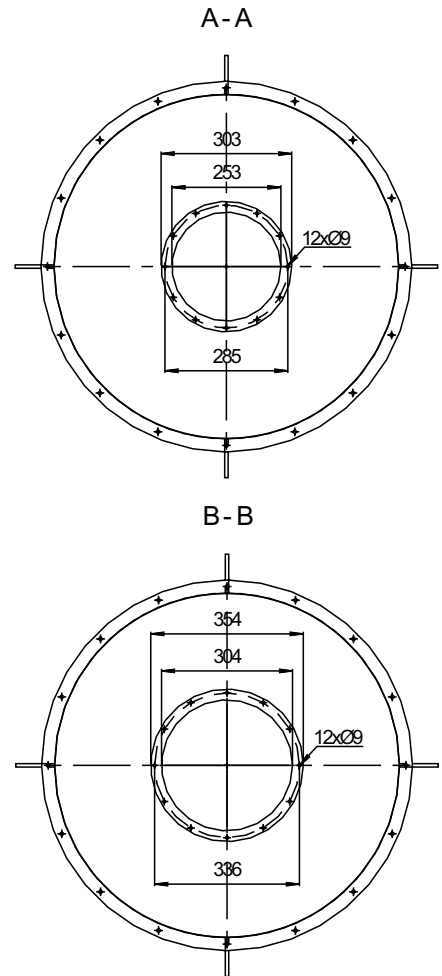
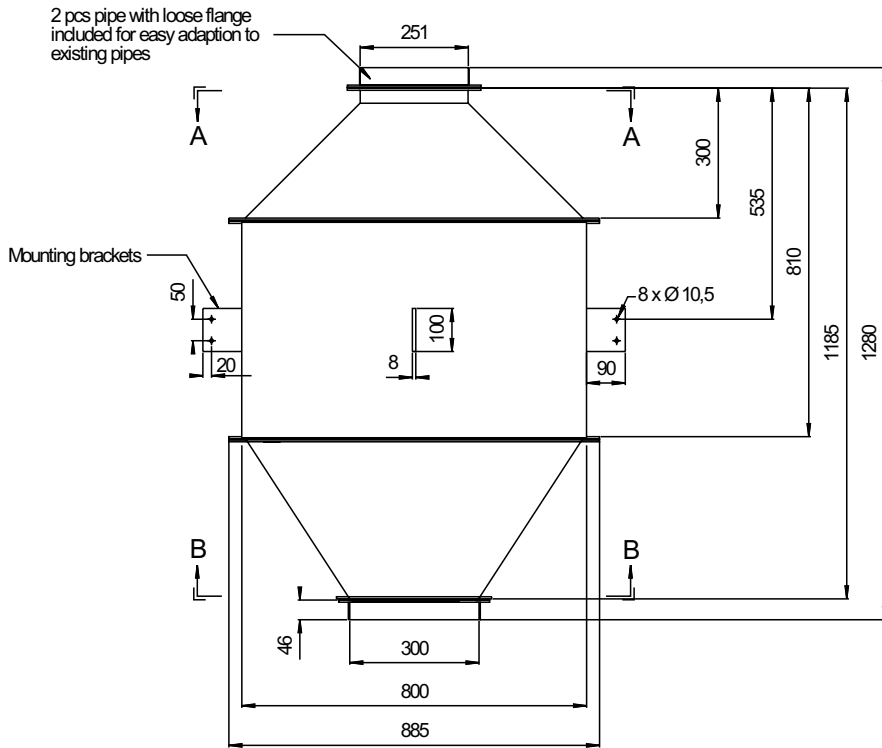
Ambient temp.	0 - 40	°C
Material inlet/outlet:	250/300	mm
Accuracy:	0.5 - 1.0	% (depending on capacity and / or material.)
Repeatability:	0.1	%
Drive:	3PH 220/380 V, 2.2 kW, IP54.	
Load sensor:	S-E-G Torque transducer type ON4-, IP67.	

#### ADDITIONAL

Motor control:	By frequency controller.
Design:	Blue industrial coating as standard, stainless steel SIS 2333 (AISI 304) optional.
Weight:	Approx. 130kg.

## DIMENSIONS

All dimensions in mm



## DESIGNATIONS

Flow meter: CO-100B  
 Load sensors: ON4-50

Controller: Model T3650. Refer to spec. T42-650E

Frequency controller: CON-220

## OPTIONS

- Turbine for abrasive materials.
- High temperature version.
- Design in Stainless steel SIS2333 (AISI 304).
- By-pass tube.

