



## BULK SOLIDS MASS FLOW METER CO-10

### TECHNICAL DATA AND DIMENSIONS

The **S-E-G** mass flow meter type CO-10 offers a high precision measurement device for bulk solids combined with easy installation procedure in existing material flows.

Industrial design with a minimum of moving parts, ensure maximum reliability with easy maintenance.

Designed for easy installation with lowest distance between inlet and outlet flanges.

Only cables for mains power and transducer/tachometer connection required to instrumentation.

Optional stainless steel design and turbines for abrasive materials available.

Advanced Flow Controller with functions such as: Flow indication and Totalising. Optional controller with PID regulation and batch-out functions available.



#### CAPACITY

Capacity	min.	500	kg/h	
	max	10.000	kg/h	
		20.000	lit/h	
Bulk density	min.	0.3		ton/m <sup>3</sup>
Piece size	max.	10		mm
Material temperature	max.	100		°C

Limits are for guidance, and depend on material specifications.

#### TECHNICAL DATA

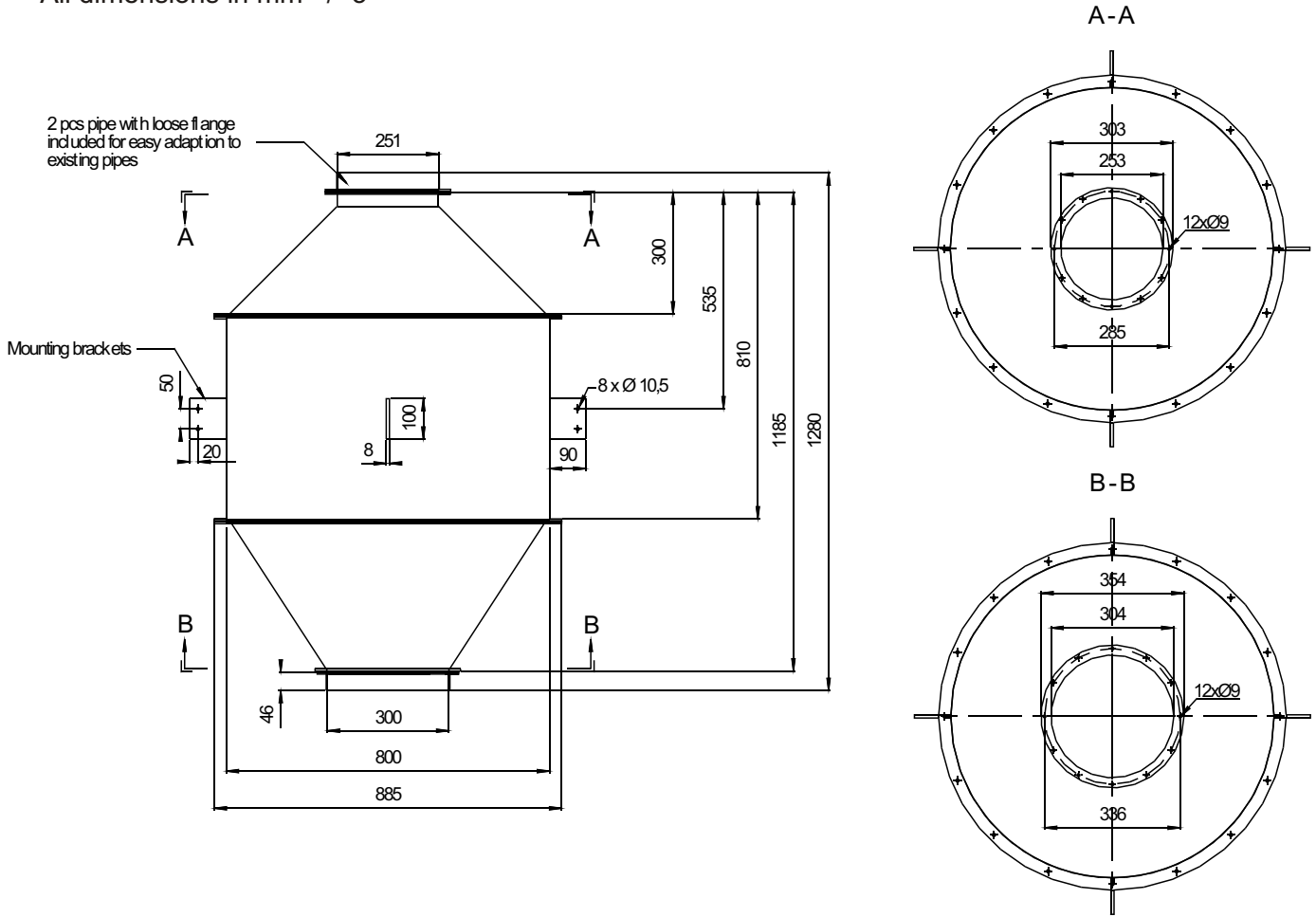
Ambient temp.	0 - 40	°C
Material inlet/outlet:	250/300	mm
Accuracy:	0.5 - 1.0	% (depending on capacity and / or material.)
Repeatability:	0.1	%
Motor:	3-phase 230/400V, 0.75 kW, IP54.	
Load sensor:	S-E-G Torque transducer type ON4-, IP67.	

#### ADDITIONAL

Motor control:	By frequency controller.
Design:	Blue industrial coating as standard, stainless steel SIS 2333 (AISI 304) optional.
Weight:	Approx. 120kg.

## DIMENSIONS

All dimensions in mm +/- 5



## DESIGNATIONS

Flow meter: CO-10B  
Load sensor: ON4-7

Controllers: Model T3650. Refer to spec. T42-650E  
Model A2-F12. Refer to spec. F44-F12E

Frequency controller: CON-075

## OPTIONS

- Turbine for abrasive materials.
- High temperature version.
- Design in Stainless steel SIS2333 (AISI 304).
- By-pass tube.

