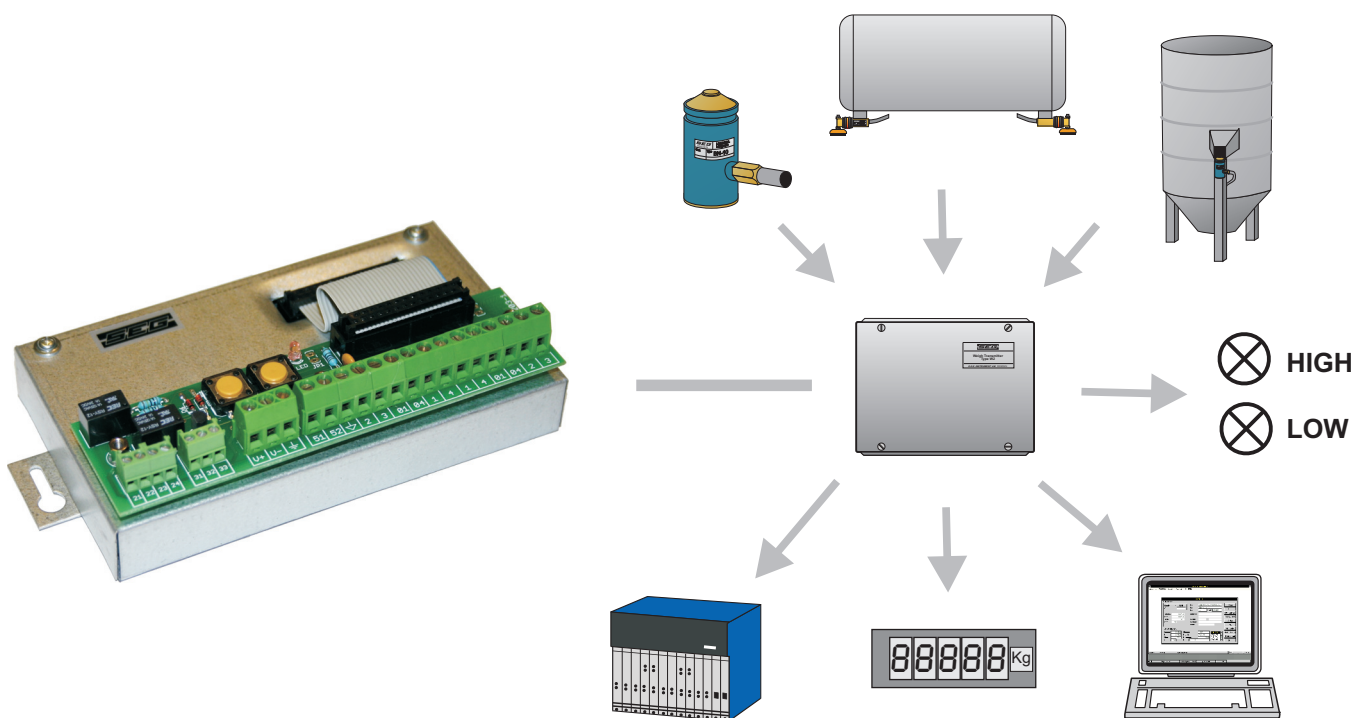




# WEIGH TRANSMITTER W3

## LOAD CELL DIGITAL TRANSMITTER WITH RS485 - MODBUS



The S-E-G system W3 transmitter is used for analog load cell to digital conversion, level control and weight/signal monitoring via RS485 serial communication, or 4-20 mA analog output current signal. The load is sensed by Strain gauge loadcells selected for the desired load range. The transmitter is also available in stainless field enclosure for use in harsh industrial environments requiring heavy duty equipment with high reliability and IP65 protection.

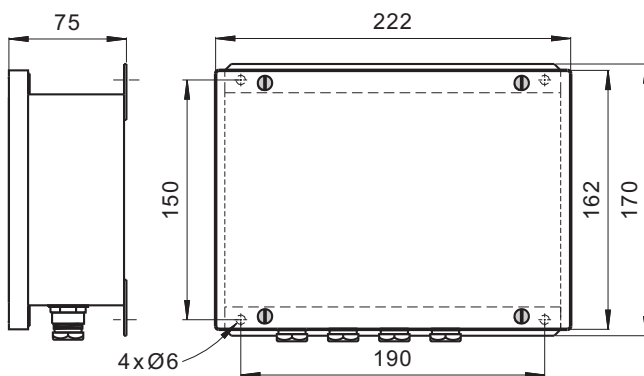
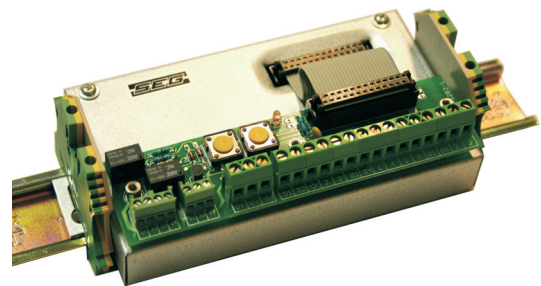
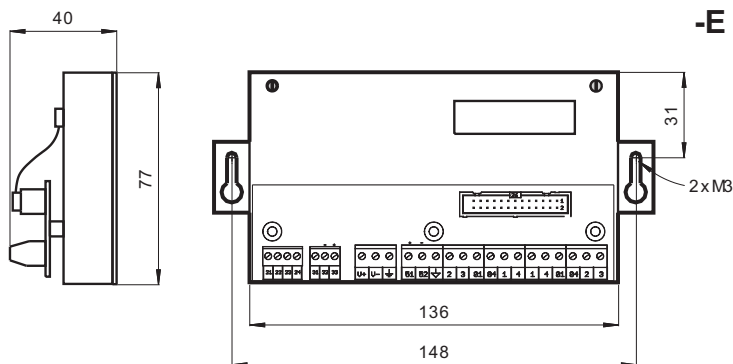
- **Analog to Digital Load Cell Converter**
- **Silos, Vessels and Container weighing**
- **Heavy duty industrial design**
- **Optional Stainless Steel Enclosure Sealed to IP 65**
- **Isolated Analogue Output 0/4-20mA**
- **2 Adjustable level contacts with output relays**
- **Digital output RS485 with Modbus RTU, ASCII**
- **Direct connection to PLC, display unit, industrial instrumentation or PC**
- **CE approval including EMC tests according to:  
89/336/EEC  
EN 61000-4-3 (2006)  
EN 55022 (1998) +A1 +A2**

Specification	Value	Units
Power supply	24	VDC (13-30)
Power consumption	5	Watt Typical.
Loadcell excitation	12	VDC
Loadcell resistance	85-1000	Ohms (Resulting res. of conn. loadcells)
Input range (sensitivity)	0.1-3.0 (F.S.)	mV/V
Analogue output, 12 bit	4-20	mA (Max 350 Ohms)
Digital output	0-30.000 (default)	Counts (adjustable via software)
Zero stability vs temperature	0.015	% of F.S. /5 °C max.
Span stability vs temperature	0.005	% of F.S. /5 °C max.
Serial port	RS485	Modbus RTU, ASCII
Relay outputs	1,0/24	A/VDC
Level adjustments	0-100	% of F.S.
Operating Temperature Range	-10 to +50	°C
Storage temperature	-20 to +70	°C
Environmental Protection	IP55 / 65	
Weight	0,35	Kg

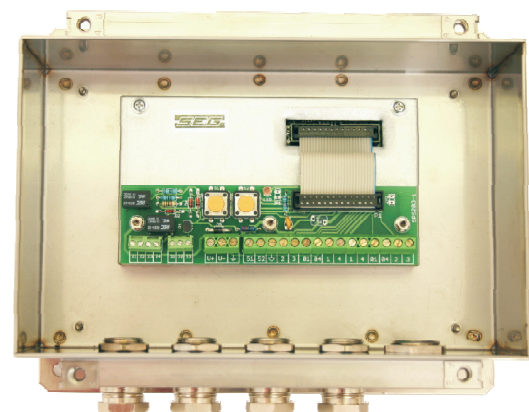
## ORDER INFO

<b>W3-N-10-E</b>	Weigh transmitter, std. Class with enclosure for DIN-rail or backplane mounting .
<b>W3-N-10-V</b>	Weigh transmitter, std. Class with stainless steel field enclosure IP65 for wall mounting.
<b>PW-24</b>	Optional power supply, 90-250VAC/24VDC 25W. Fits inside field enclosure type -V

## DIMENSIONS



**-V**



As product development is a continuous process, the specifications are subject to change without notice.

