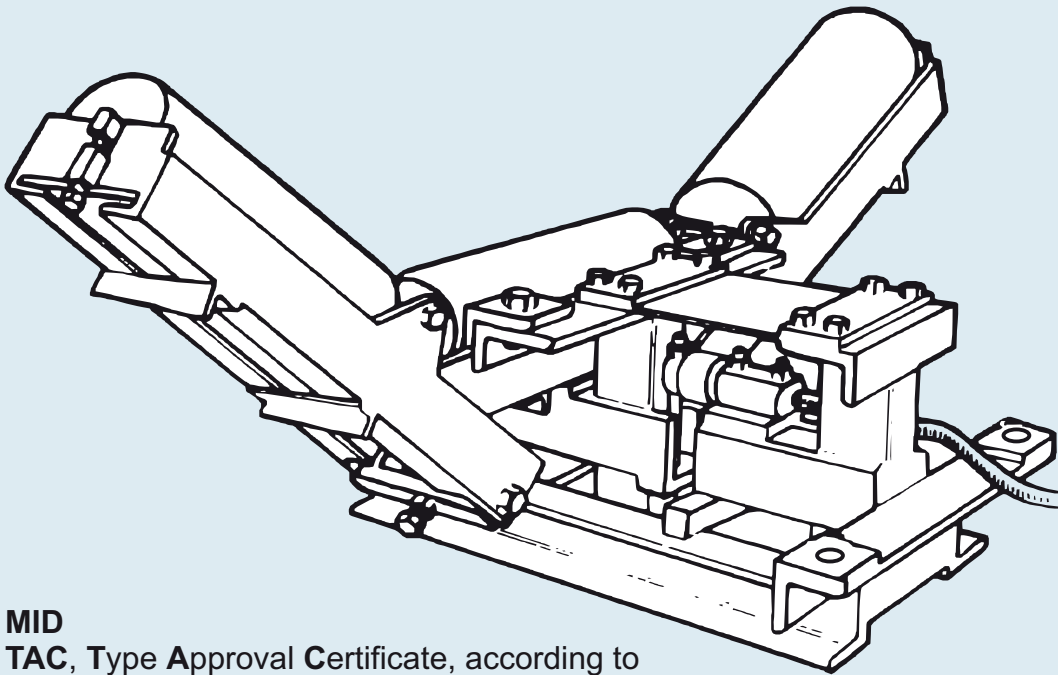




# BELT WEIGHING UNIT DK

For high precision belt weighers



**MID**  
TAC, Type Approval Certificate, according to  
OIML R50:1997 Class 0.5, 1 and 2

*Belt weighing unit DK*

The weighing unit DK is used in belt conveyors having capacities from 600 tonnes/h to about 5000 tonnes/h.

The weighing unit replaces one or more of the conveyor idlers and forms the weight sensing component in the S.E.G. belt weighing system.

The weighing unit DK, featuring in a modular design, is a complete unit adaptable to any common

## Benefits

- Easy to install with a minimum of modifications to the conveyor
- Adjustable trough angle
- Fine adjustment of roller height allows easy and accurate adjustment
- Precision manufactured rollers
- Available with Epoxy coating

## Applications

- Legal trade
- Flow indication
- Totalising
- Load out
- Control

## Features

- Up to 5000 tonnes / h
- Down to 0,1% inaccuracy
- Belt width 1000 - 1800 mm
- Uses strain gauge Load cells



**S-E-G INSTRUMENT AB**

Box 111 43, S-161 11 Bromma, SWEDEN

Phone:

(+46) 8 764 74 00

Fax:

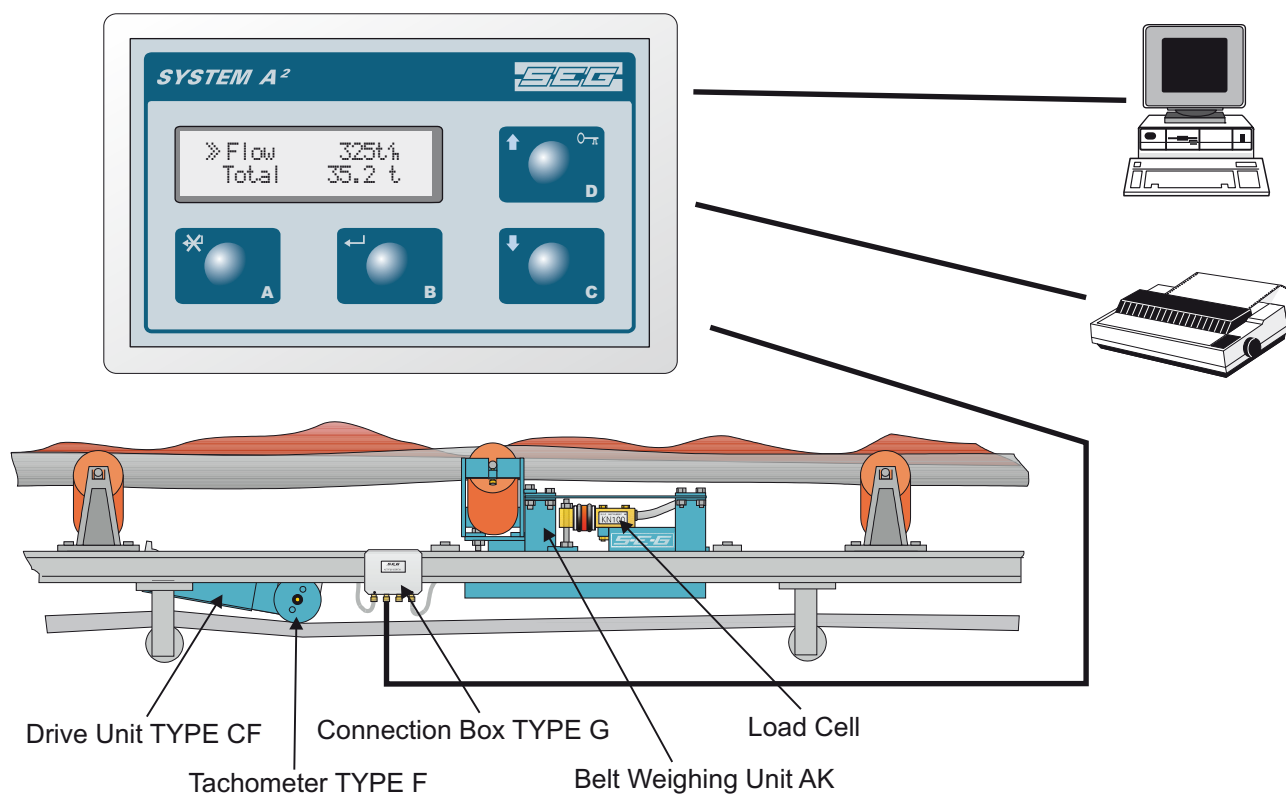
(+46) 8 764 75 00

Internet:

www.s-e-g.com

VAT: SE556186188001

## Typical installation of a Belt Weigher



**Tachometer TYPE F**  
Spec.F13-3

Sensor for measuring the belt speed.

**Drive Unit TYPE CF**  
Spec.F13-3

The Drive Unit gives the tachometer with its measuring wheel a definite contact pressure against the conveyor belt. The Tachometer can also be assembled directly on the end drum.

**Connection Box TYPE G**  
Spec.F31-19

Connection Box for connecting the load cell and the tachometer to the belt weighing instrument.

**Load Cell**  
Spec.F31-16

The Belt Weighing Unit is designed for S.E.G. Load cells.

**Belt Weighing Instrument**

Instrumentations are available in different models for various applications.

**ADDITIONAL**

The Belt Weighing Unit DK can be delivered painted in blue (standard) or epoxy painted.

