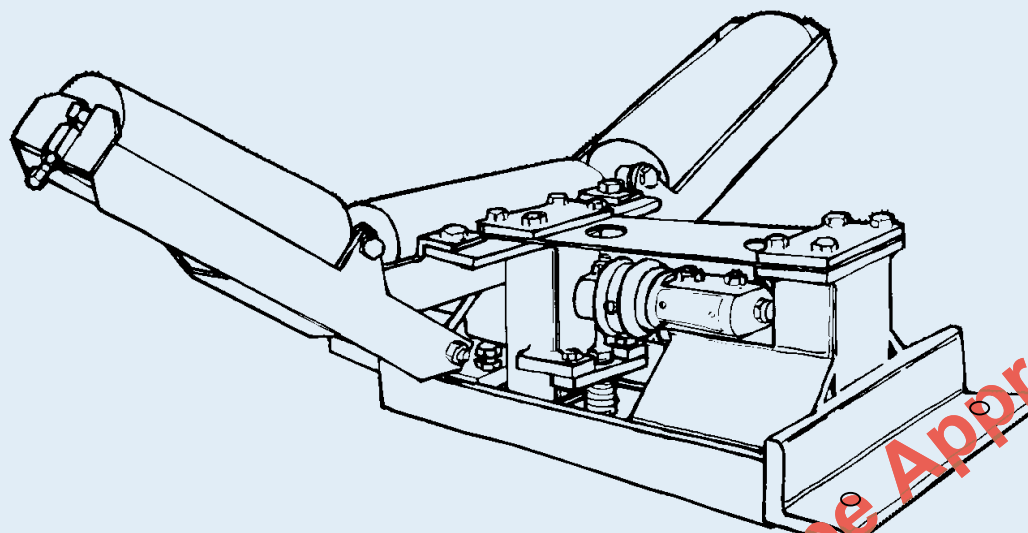




# BELT WEIGHING UNIT AK

For high precision belt weighers



Type Approved

**TAC**, Type Approval Certificate, according to  
OIML R50:1997 Class 0.5, 1 and 2

*Belt weighing unit AK*

The weighing unit AK is used in belt conveyors having capacities from a few tonnes/h to about 800 tonnes/h. The weighing unit replaces one or more of the conveyor idlers and forms the weight sensing component in the S.E.G. belt weighing system.

The weighing unit AK, featuring in a modular design, is a complete unit adaptable to any common conveyor design.

## Benefits

- Easy to install with a minimum of modifications to the conveyor
- Adjustable trough angle
- Fine adjustment of roller height allows easy and accurate adjustment
- Precision manufactured rollers
- Available in Stainless steel

## Applications

- Legal trade
- Flow indication
- Totalising
- Load out
- Control

## Features

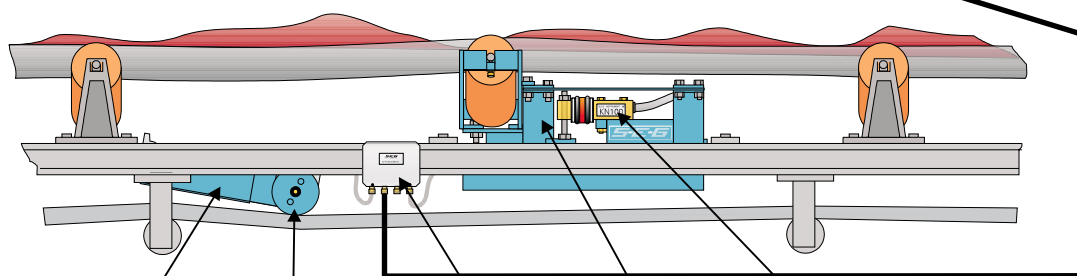
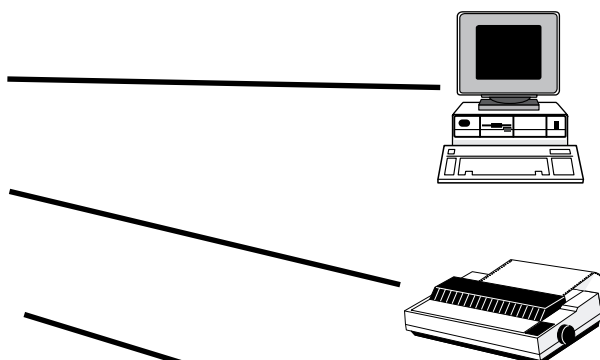
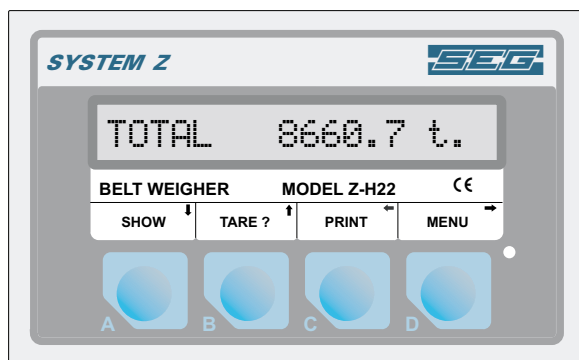
- Up to 800 tonnes / h
- Down to 0,1% inaccuracy
- Belt width 500 - 1300 mm
- Uses strain gauge Load cells
- Type approved (TAC) together with S.E.G.'s type approved belt weighing instruments.
- Overload protection (optional).



**S-E-G INSTRUMENT AB**

Box 111 43, S-161 11 Bromma, SWEDEN  
Tel Fax Telex  
+46-8-7647400 +46-8-7647500  
Segia S

## Typical installation of a Belt Weigher



Drive Unit TYPE CF      Tachometer TYPE F      Connection Box TYPE G      Belt Weighing Unit AK      Load Cell

**Tachometer TYPE F**  
Spec.F13-3

Sensor for measuring the belt speed.

**Drive Unit TYPE CF**  
Spec.F13-3

The Drive Unit gives the tachometer with its measuring wheel a definite contact pressure against the conveyor belt. The Tachometer can also be assembled directly on the end drum.

**Connection Box TYPE G**  
Spec.F31-19

Connection Box for connecting the load cell and the tachometer to the belt weighing instrument.

**Load Cell**  
Spec.F31-16

The Belt Weighing Unit is designed for S.E.G. strain gauge Load cells.

**Belt Weighing Instrument**

The Belt Weighing Unit AK is Type Approved together with S.E.G.'s Type Approved Belt Weighing Instruments.

**ADDITIONAL**

The Belt Weighing Unit AK can be delivered painted in blue (standard), epoxy painted or in Stainless Steel

As product development is a continuous process, the specifications are subject to change without notice.

